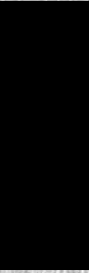


# Condensers



# R-4500

## Rooftop Condenser (45,000 BTU)

**FIRETRUCKS • CRASH & RESCUE VEHICLES • DUAL EVAPORATORS**

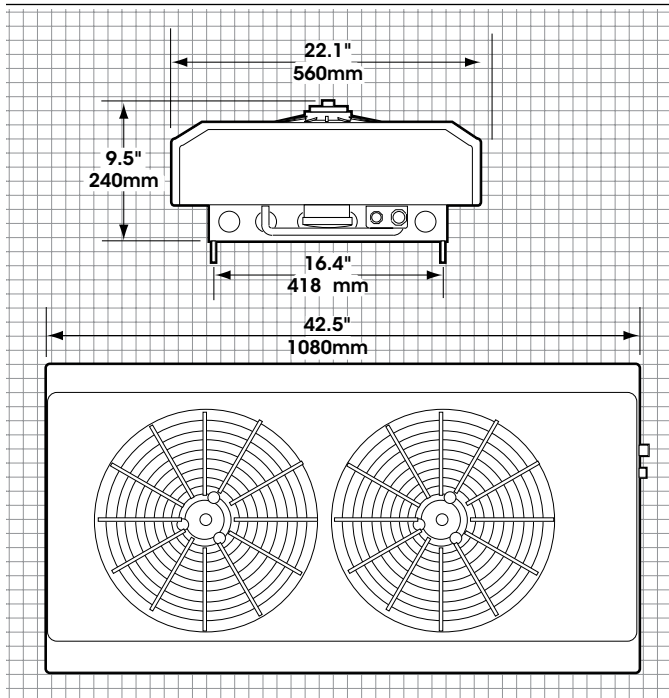
The R-4500 offers amazing performance for a light weight dual fan power condenser. Its high capacity gives the installer a condenser to match with high performance evaporators or dual evaporator systems. Using the latest motor technology the R-4500 has the lowest profile possible while maintaining a high output. At 45,000 BTU's, the R-4500 is the largest of Red Dot's line of "power" condensers.



### R-4500 SPECIFICATIONS

<b>CAPACITY</b>	45,200 BTU/hr. @ 135°F (13.2 kW @ 57.2°C) condensing temp. and 110°F (43.3°C) entering air
<b>WEIGHT</b>	85 lbs. (38.6 kg)
<b>AIR FLOW</b>	2,011 CFM (3,517 m3/h)
<b>MOTORS</b>	Two 16-inch diameter
<b>CURRENT DRAW</b>	30.3 amps @ 13.6 VDC
<b>MODEL</b>	R-4500-8P (12 VDC) R-4500-8-24P (24 VDC)

**OPTIONS:** *Low Profile Conversion Kit RD-4-5341-0P*



# R-6160

## Rooftop Condenser (24,000 BTU)

**HEAVY & MEDIUM DUTY TRUCKS • CONSTRUCTION & AGRICULTURAL**

The R-6160 is the perfect rooftop condenser design. A light weight, compact, and high capacity unit with a styled low profile that fits the aerodynamic vehicle designs of today. This is a must for effective air flow and when roof space is minimal or air shields are used.



### R-6160 SPECIFICATIONS

<b>CAPACITY</b>	24,000 BTU's/hr (7 kW @ 65.5°C)
<b>WEIGHT</b>	23 lbs. (10.5 kg) Lightweight
<b>CONDENSER COIL</b>	The coil is aluminum fin and copper tube construction, which includes a tube of .022" (6 cm) wall thickness, results in an effective, lightweight rugged coil.
<b>MOTOR/FAN</b>	The motor is a permanent magnet type selected for its extended life. The fan is made of aluminum.
<b>CURRENT DRAW</b>	12 amps @ 13.6 VDC (includes 4 amps A/C for clutch) 6 amps @ 27.2 VDC (includes 2 amps A/C for clutch)

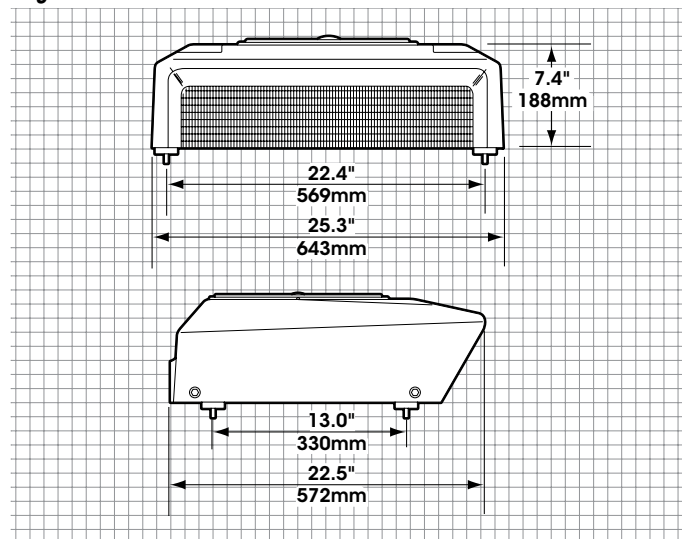
**UNITS** R-6160-0P (12 VDC), R-6160-0-24P (24 VDC)

### OPTIONS:

*Receiver Drier Kit (12/24 VDC) RD-5-4722-1P/-2P*

*Winter Cover RD-5-4743-0P*

*Bug Screen RD-4-4529-1P*



# R-6260

## Rooftop Condenser (38,800 BTU)

**HEAVY & MEDIUM DUTY TRUCKS  
CONSTRUCTION & AGRICULTURAL**



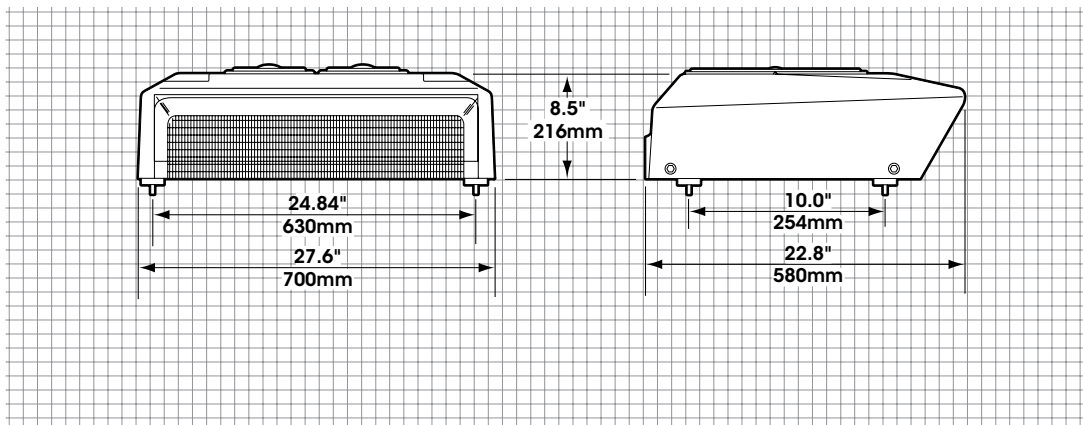
The latest in design technology was used in developing the R-6260. From its modern aerodynamic look to its high capacity, the R-6260 out performs any unit in its class. Under the cover, Red Dot uses heavy duty construction to meet the demands of the class 8 marketplace.

R-6260 SPECIFICATIONS	
<b>CAPACITY</b>	38,800 BTU/hr (11.4 kW @ 65.5°C)
<b>WEIGHT</b>	30 lbs. (14 kg) Lightweight
<b>MOTOR/FAN</b>	Two 11-inch (27.9 cm) diameter pancake motor fan assembly producing 970 CFM (1,648 m3/h)
<b>CURRENT DRAW</b>	15 amps @ 13.6 VDC (includes 4 amps A/C for clutch) 8.5 amps @ 27.2 VDC (includes 2 amps A/C for clutch)
<b>UNITS</b>	R-6260-1P (12 VDC) R-6260-1-24P (24 VDC)

**OPTIONS:**

*Bug Screen Kit RD-4-5135-OP*

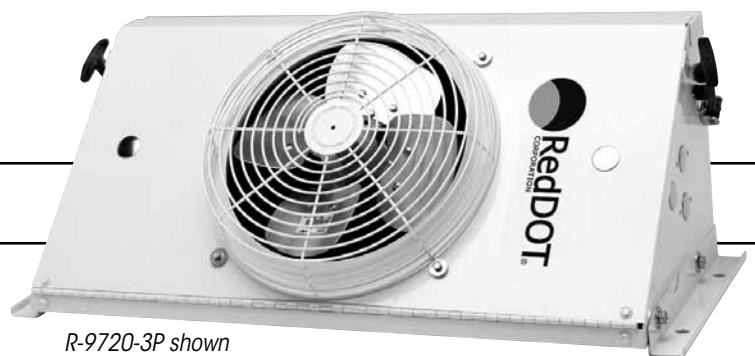
*Winter Cover RD-5-8412-OP*



## R-9720 SERIES Remote Mount Condenser

**CONSTRUCTION • MINING • AGRICULTURE**

The R-9720 is the most versatile and well built remote mount condenser available. A unique design allows for installation on top of a horizontal surface or hung below a roof or floor panel. This change is accomplished easily by changing two hose connectors. Suitable for use in off road applications, medium duty trucks, or specialty vehicles where a radiator mount or roof-top condenser cannot be used.



R-9720-3P shown

### R-9720 SPECIFICATIONS

<b>CAPACITY</b>	30,000 BTU/Hr. (8.8 kW)
<b>WEIGHT</b>	45 lbs. (16.8 kg)
<b>CONDENSER COIL</b>	Copper tubing, aluminum fins and plated steel headers
<b>CURRENT DRAW</b>	12.3 amps @ 13.6 VDC (includes 4 amps for A/C clutch) 6.17 amps @ 27.2 VDC (includes 2 amps for A/C clutch)
<b>FAN</b>	10-inch (25.4 cm) diameter, 4 blade fan with single speed long life motor
<b>UNITS</b>	With receiver drier R-9720-3P (12 VDC), R-9720-3-24P (24 VDC)

### R-9720 SERIES SYSTEM ORDERING GUIDE

<b>R-9720-3P</b>	12 VDC w/ In-Line Drier	R-134a Compatible
<b>R-9720-3-24P</b>	24 VDC w/ In-Line Drier	R-134a Compatible

### R-9720 Series OPTIONS:

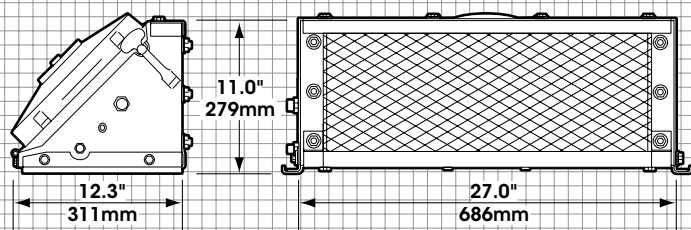
#### Shock Mount Assembly

RD-4-3669-0P  
(2 required per unit)



#### Condenser Mount Bracket

77R9020





# R-9725

## Remote Mount Condenser (33,000 BTU)

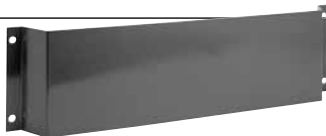
**CONSTRUCTION • MINING • AGRICULTURE**

The R-9725 offers a two coil design which allows for superior capacity to handle all of Red Dot's auxiliary air conditioning systems. Being compact in size, the R-9725 can be mounted horizontally or vertically to fit your particular application.



**OPTIONS:**

**Rock Guard**  
RD-4-4548-1P



R-9725 SPECIFICATIONS	
<b>CAPACITY</b>	33,000 BTU/hr (9.7 kW)
<b>WEIGHT</b>	40 lbs. (18 kg)
<b>CONDENSER COIL</b>	Copper tubing, aluminum fins and plated steel headers
<b>MOTORS</b>	Single speed sealed permanent magnet
<b>CURRENT DRAW</b>	24 amps @ 13.6 VDC (includes 4 amps for A/C clutch) 12 amps @ 27.2 VDC (includes 2 amps for A/C clutch)
<b>FANS</b>	Two 8-inch (20.32 cm) diameter bladed fans producing 900 CFM (1,529 m3/h)
<b>UNITS</b>	R-9725-1P (12 VDC), R-9725-1-24P (24 VDC)

# R-9730

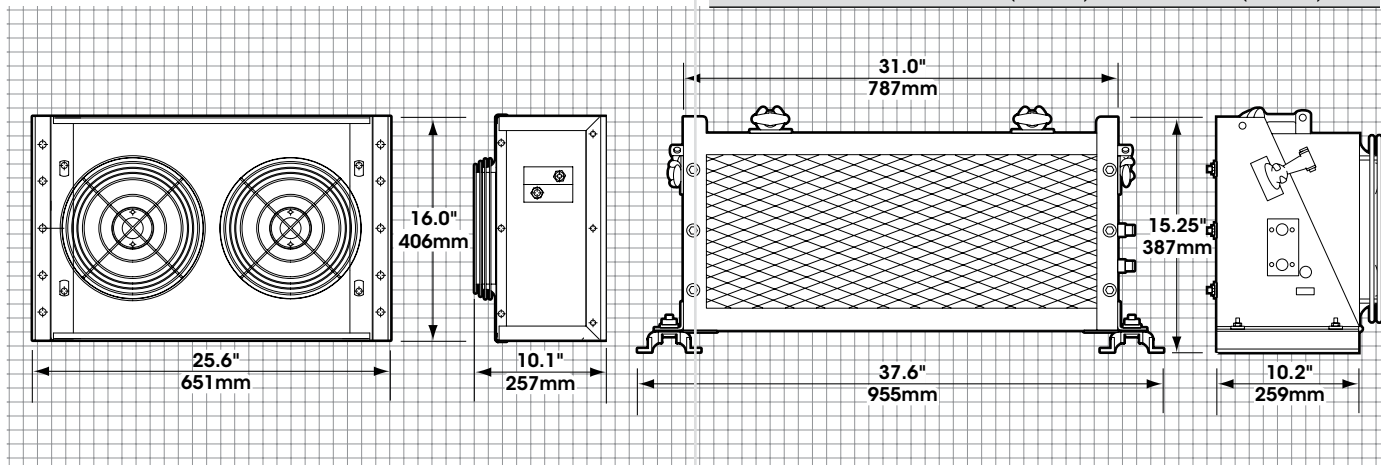
## Remote Mount Condenser (44,500)

**CONSTRUCTION • MINING • AGRICULTURE**

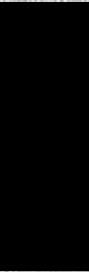
Built to withstand the punishment of off road environments, the R-9730 is a rugged, heavy duty condenser with the tremendous capacity to support dual evaporator systems.



R-9730 SPECIFICATIONS	
<b>CAPACITY</b>	44,500 BTU/hr (13 kW)
<b>WEIGHT</b>	74 lbs. (33.6 kg)
<b>CONDENSER COIL</b>	Copper tubing, aluminum fins and plated steel headers
<b>MOTORS</b>	Two single speed, long life sealed with pre-lubricated bearings.
<b>CURRENT DRAW</b>	26 amps @ 13.6 VDC (includes 4 amps for A/C clutch) 13 amps @ 27.2 VDC (includes 2 amps for A/C clutch)
<b>FANS</b>	Two 10-inch (25.4 cm) dia. bladed fans producing 1500 CFM (2,548 m3/h)
<b>UNITS</b>	R-9730-0P (12 VDC), R-9730-0-24P (24 VDC)



# Hydraulic Compressors and Kits



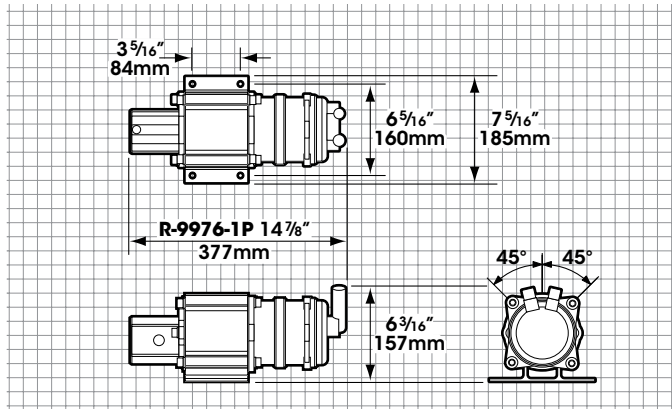
# R-9976

## Hydraulic Axial Direct Drive

CONSTRUCTION • MINING • AGRICULTURE

The perfect solution when you can't run the compressor directly from the engine. The R-9976 requires no belts, minimizes A/C hose length while maximizing performance. Compressor speed control is possible on this unit with a separate hydraulic device supplied by the installer.

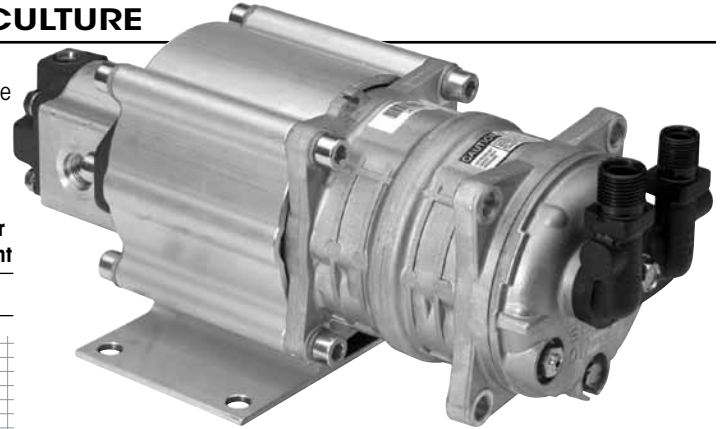
	GPM	Minimum PSI	Maximum PSI	Compressor Displacement
<b>R-9976-1P</b>	1.1 – 6.3	1,800	3,988	9.3 cu.in.



Clock mounting for compressor limited to 45°.

Attitude: compressor limited to 10° variance from level, upright, horizontal position.

**WARNING:** Red Dot Corporation takes no responsibility for modifications to the vehicles hydraulic systems. All hydraulic modifications must be done by a certified hydraulic technician.



### HYDRAULIC CONTROL VALVE

For use with R-9976-1

Maximum flow is 15 GPM at 2,500 PSIG (241 Bar at 57 L/min)

**72R9904 RD-5-11209-0P**

Electrically piloted hydraulic control valve (normally open) 24volt



**72R9912 RD-5-11210-0P**

Used to convert 72R9004 (left) to 12 volts



# PRESSURIZER & REMOTE MOUNT FILTERS

## Booster Blower

**AGRICULTURAL • MINING • INDUSTRIAL**

Attaching directly to the 78R5100 and 78R5110 remote mount filters (shown below) the Booster Blower forces dust free air into the cab through our heater and air conditioner units.

### PRESSURIZER SPECIFICATIONS

<b>AIR FLOW</b>	140 CFM (238m3/h) with filter; 230 CFM (391m3/h) free flow
<b>WEIGHT</b>	7 lbs. (3 kg)
<b>MOTOR/FAN</b>	One 12 VDC, single speed (24 VDC available)
<b>CURRENT DRAW</b>	10.2 amps @ 13.6 VDC 6 amps @ 27.2 VDC
<b>DIMENSIONS</b>	4" inlet    3" outlet
<b>UNITS</b>	73R9202 (12 VDC) 73R9204 (24 VDC)



## Remote Mount Filters

The integration of Red Dot's Remote Mount Filters with the Booster Blower guarantees your dust-free working environment.

### BACKPACK MOUNT

#### 78R5000



9" Dia x 16" long  
(228mm x 464mm)

#### REPLACEMENT PARTS

Filter Model	78R5000
Filter	78R5200
Hood	RD-5-4288-OP
Band	RD-5-4289-OP
Rubber Elbow	78R5500

### HORIZONTAL MOUNT

#### 78R5100



10 1/4" Dia x 18" long  
(260mm x 457mm)

#### REPLACEMENT PARTS

Filter Model	78R5100
Filter	78R5210
Hood	RD-5-5151-OP
Band	RD-5-5150-OP

### VERTICAL MOUNT

#### 78R5110



10 1/4" Dia x 23 3/4" long  
(260mm x 503mm)

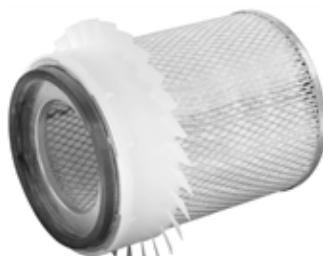
#### REPLACEMENT PARTS

Filter Model	78R5110
Filter	78R5210
Hood	RD-5-5152-OP
Band	RD-5-5150-OP

\* Cab pressure and protection level may vary with individual cab integrity



**Intake Replacement Filter**  
78R5200



**Fresh Air Intake Replacement Filter**  
78R5210



**Air Outlet Adapter For Pressurization**  
72R4531



# Off-Road Evaporator Kits

# OFF-ROAD EVAPORATOR KITS ALL 134A COMPATIBLE

When ordering kits it is recommended that you order both the condenser and the compressor mount kit. **DROP SHIP ONLY** Allow four weeks lead time

## Caterpillar

Model Name	Model Number	Engine	Kit Number	Evaporator	Condenser	Condenser Mount Kit	Compressor	Compressor Mount Kit
Dozer	953	3204	R-17002-5P	Included	Included	Included	Included	Included
Dozer	D4C	3204	R-17002-2P	Included	Included	Included	Included	Included
Dozer	D4h	3204	R-17002-3P	Included	Included	Included	Included	Included
Dozer	D5	3306	R-17002-4P	Included	Included	Included	Included	Included
Excavator	312		R-17003-0P	Included	Included	Included	Included	Included
Excavator	325	3116	R-17003-1P	Included	Included	Included	Included	Included
Excavator	330 / 350		R-17003-2P	Included	Included	Included	Included	Included
Grader	120H	3116	R-17002-0P	Included	Included	Included	Included	Included
Grader	140H	3306	R-17002-1P	Included	Included	Included	Included	Included
Haul Truck	768C, 769C, 772B, 773B	3408 / 3412	R-10235-4P	Included	Included	Included	Included	Included
Scraper	627B	3306	R-17004-0P	Included	Included	Included	Included	Included
Wheel Loader	IT28G / 928G	3116, 3126	R-10047-0P	Included	Included	Included	Included	Included

## Hitachi

Model Name	Model Number	Engine	Kit Number	Evaporator	Condenser	Condenser Mount Kit	Compressor	Compressor Mount Kit
Excavator	EX200		R-17000-0P	Included	Included	Included	Included	Included
Excavator	EX300		R-17000-1P	Included	Included	Included	Included	Included
Excavator	EX400		R-17000-2P	Included	Included	Included	Included	Included
Excavator	EX400-1		R-17000-3P	Included	Included	Included	Included	Included

## John Deere

Model Name	Model Number	Engine	Kit Number	Evaporator	Condenser	Condenser Mount Kit	Compressor	Compressor Mount Kit
Excavator	490E-LC	4045T	R-10035-5P ++	Included	Included	RD-4-4705-0P	Included	75R9715
Excavator	690E-LC	6068T / 6414T	R-10035-5P* ++	Included	Included	RD-11-0126-0P	Included	75R9710
Excavator	790E-LC	6068T / 6414T	R-10035-5P ++	Included	Included	RD-11-0127-0P	Included	75R9710
Excavator	892E-LC	6076	R-10035-5P ++	Included	Included	RD-11-0128-0P	Included	75R9575
Excavator	992E-LC	6101T	R-10035-5P ++	Included	Included	RD-11-0128-0P	Included	75R9805
Wheel Loaders	544H	6068T	R-10060-4P +	Included	Included		Included	75R9405
Wheel Loaders	624H	6068T	R-10060-4P +	Included	Included		Included	75R9410

## Komatsu

Model Name	Model Number	Engine	Kit Number	Evaporator	Condenser	Condenser Mount Kit	Compressor	Compressor Mount Kit
Loader	WA180		R-17001-0P	Included	Included	Included	Included	Included
Loader	WA320-1		R-17001-1P	Included	Included	Included	Included	Included
Loader	WA380		R-17001-2P	Included	Included	Included	Included	Included
Loader	WA450		R-17001-3P	Included	Included	Included	Included	Included

\* Beginning with Serial Number 559603. J.D. Pulley part # R123413 must be ordered to complete installation

+ Must order John deere Pulley # 123413 to complete installation

++ John Deere "Allied Approved" kit