

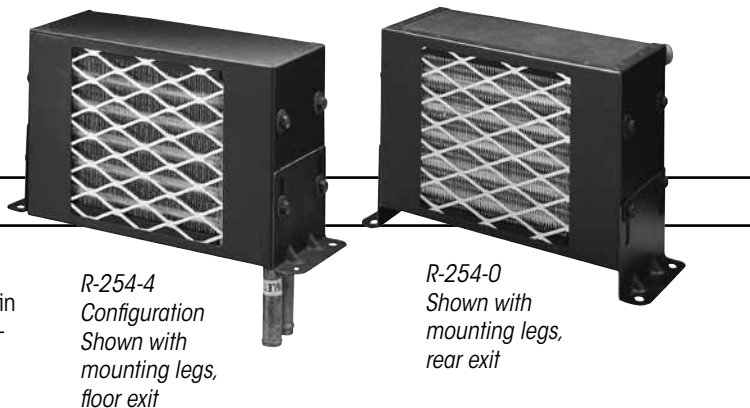
Heaters

R-254 & R-255

Auxiliary Heaters

TRUCKS • RECREATIONAL

These auxiliary heaters are among the most versatile and maintenance free units Red Dot has ever built. Red Dot's round tube and fin design allows heater mounting in any position, using our multi-position leg brackets or flush mount frame. The compact size, simple plumbing and high output are ideal in any application.



R-254-4 Configuration Shown with mounting legs, floor exit

R-254-0 Shown with mounting legs, rear exit

SPECIFICATIONS		
	R-254	R-255
BTU'S	16,000 BTU/Hr @ 150°F (4kw 4.69 @ 65.6°C) air temp. rise	30,000 BTU/Hr @ 100°F (kw 8.79 @ 37.8°C) air temp. rise
AIR FLOW	150 CFM (255 m3/h)	280 CFM (476 m3/h)
WEIGHT	7 lbs. (3 kg)	12 lbs. (5.5 kg)
CURRENT DRAW	3.3 amps @ 13.6 VDC 1.7 amps @ 27.2 VDC	6.6 amps @ 13.6 VDC 3.3 amps @ 27.2 VDC
MODELS	Single Fan 5/8" fittings, rear exit: R-254-0P (12 VDC) R-254-0-24P (24 VDC) 3/4" fittings, rear exit: R-254-1P (12 VDC) LS	Double Fan 5/8" fittings, rear exit: R-255-10P (12 VDC) R-255-10-24P (24 VDC) 3/4" fittings, rear exit: R-255-1P (12 VDC) LS
	FLOOR EXIT 5/8" fittings: R-254-4P (12 VDC)	FLOOR EXIT 5/8" fittings: R-255-12P (12 VDC)

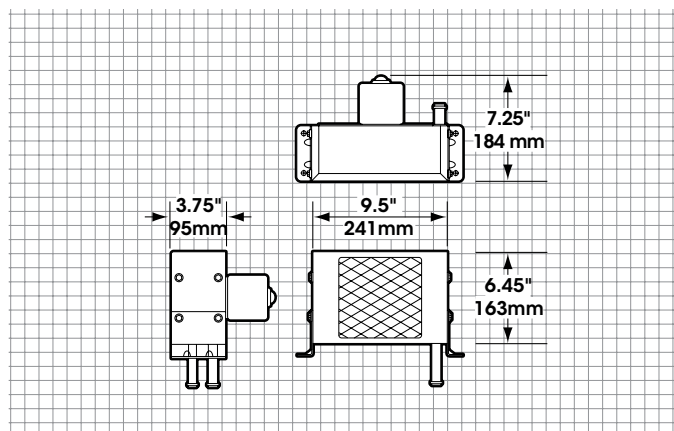
OPTIONS:

Heater Hose
78R0100

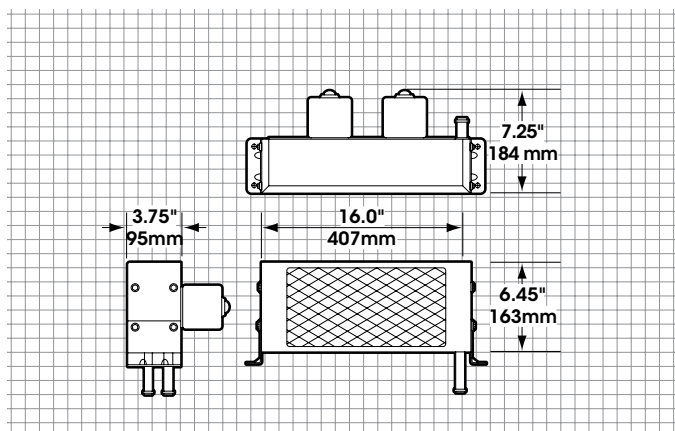
Toggle Switch
71R0100

Defrost Hose Outlet 3 1/2"
RD-1-0639-0P

Diagrams for R-254



Diagrams for R-255



LS = Limited to stock on hand

R-270

Auxiliary Heater



TRUCKS
RECREATIONAL
VEHICLES

An extremely compact heater the R-270 series offers a highly tooled light weight design. There are three optional "Snap In" outlet configurations available which will allow for various air flow configurations. In addition Red Dot offers an optional installation kit which includes mounting hardware and fan switch.

R-270 SPECIFICATIONS

BTU'S	Heating – 15,000 BTU/hr @ 100°F air temp. rise (4.4 kW @ 34.8°C)
AIR FLOW	140 CFM (237 m ³ /h)
WEIGHT	7 lbs. (3 kg)
MOTORS	One 12 VDC (2 speed)
CURRENT DRAW	7.7 amps @ 13.6 VDC 3.8 amps @ 27.2 VDC
UNITS	R-270-OP (12 VDC) R-270-0-24P (24 VDC)

OPTIONS:

Snap In Outlets

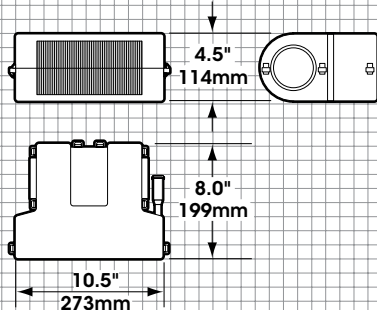
Straight 2 1/4" Hose Outlet
72R4532



Louvered Outlet
72R3157



Installation Kit
RD-1-1654-OP



R-290

Auxiliary Single Blower Heater

Where air velocity is of utmost importance, Red Dot has added high performance three-speed motor blower assemblies to its compact heater models. The R-290 and R-295 (at right) auxiliary heaters deliver maximum BTU's with unsurpassed CFM. A defrost hose adapter is available to make ducting air possible.

R-290 SPECIFICATIONS

BTU'S	20,000 BTU/Hr @ 150°F (kw 5.86 @ 65.6°C) air temp. rise	
AIR FLOW	220 CFM (373 m ³ /h)	
WEIGHT	7 lbs. (3 kg)	
CURRENT DRAW	4.3 amps @ 13.6 VDC (high speed) 2.7 amps @ 27.2 VDC (high speed)	
MODELS	R-290-OP	(12 VDC), 5/8 fitting rear exit
	R-290-0-24P	(24 VDC), 5/8 fitting rear exit
	LS R-290-1-24P	(24 VDC), 3/4 fitting rear exit
	R-290-4P	(12 VDC), 5/8 fitting floor exit
	R-290-4-24P	(24 VDC), 5/8 fitting floor exit

LS = Limited to stock on hand

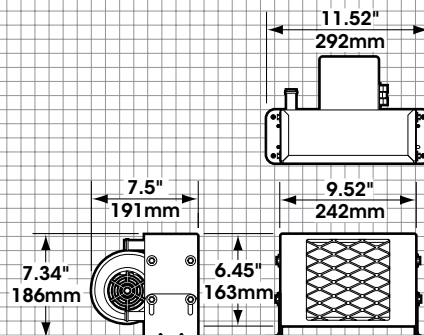


OPTIONS:

Defrost Hose Outlet Adapter
3 1/2" RD-1-0639-OP

Switch
71R1150

Knob
71R4050



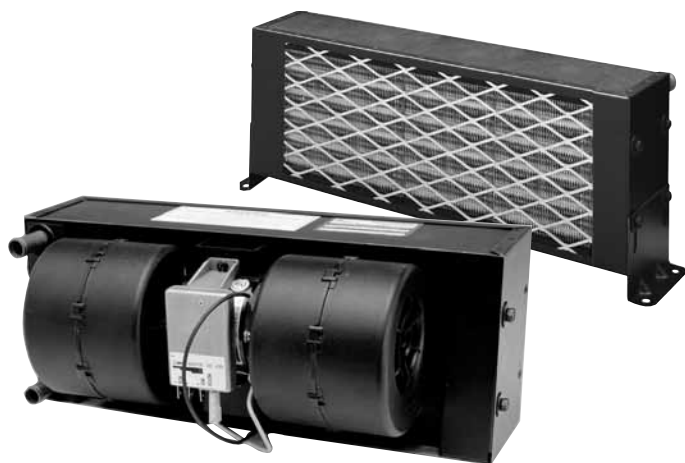
LS = Limited to stock on hand

R-295

Auxiliary Double Blower Heater

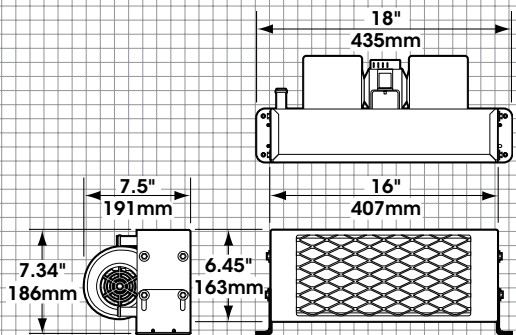
The bigger brother of the pair, with two high performance three-speed motor blower assemblies. The R-295 auxiliary heater delivers where it's needed most. Defrost hose adapter is available for this model too.

R-295 SPECIFICATIONS	
BTU'S	35,000 BTU/Hr @ 180°F (kw 10.25 @ 82°C) air temp. rise
AIR FLOW	430 CFM (730 m3/h)
WEIGHT	11 lbs. (5 kg)
CURRENT DRAW	16 amps @ 13.6 VDC (high speed) 7 amps @ 27.2 VDC (high speed)
UNITS	R-295-0P (12 VDC), 5/8 fitting rear exit R-295-0-24P (24 VDC), 5/8 fitting rear exit R-295-4P (12 VDC), 5/8 fitting floor exit



OPTIONS:

Defrost Hose Outlet Adapter 3 1/2" RD-1-0639-0P (uses two)	Switch 71R1150	Knob 71R4050
---	--------------------------	------------------------



R-2020

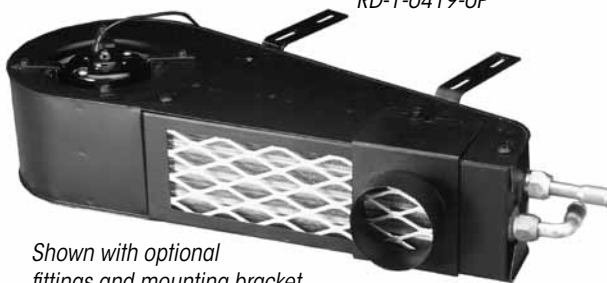
Auxiliary Heater-Defrost and Oil Cooler

MARINE USE • CONSTRUCTION • INDUSTRIAL CABS

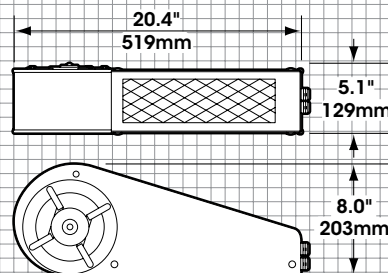
R-2020 SPECIFICATIONS	
BTU'S	Heat -17,800 BTU/Hr @ 100°F (kw 5.21 @ 37.8°C) with water for heat source (BTU's per hour with oil for heat source lower)
AIR FLOW	165 CFM (280 m3/h)
WEIGHT	10.7 lbs. (4.85 kg)
MOTOR	One 12 VDC or one 24 VDC single speed
CURRENT DRAW	6 amps @ 13.6 VDC, 3 amps @ 27.2 VDC
UNITS	R-2020-0P (12 VDC), R-2020-0-24P (24 VDC)

OPTIONS:

- 2 1/2" Defrost Adapter**
72R3601
- 3" Defrost Adapter**
72R3603
- Swivel Fittings**
70R7600 (Straight 5/8" hose)
70R7650 (90° 5/8" hose)
- Hoses**
78R0100 (Heater, 5/8" 50ft)
78R0250 (Defrost, 2 1/2" 9ft)
78R0300 (Defrost, 3" 9ft)
- Switches**
71R0050 (Toggle, ON-OFF)
71R1210 (Rotary, 3-speed)
- Mounting Bracket**
RD-1-0419-0P



Shown with optional fittings and mounting bracket



HEATER ONLY

R-3500 HEATER

Auxiliary Heater

FIRE TRUCKS • CRASH & RESCUE VEHICLES • LARGE CABS

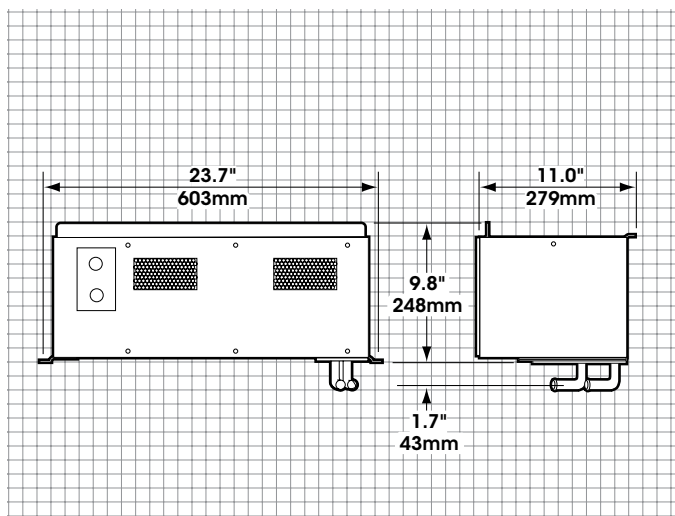
The R-3500 crew cab heater was designed with high performance to be able to heat larger cabs in extreme conditions. Its low profile and heavy duty construction allows this heater to be used in various applications.

R-3500 SPECIFICATIONS

BTU'S	Heating – 49,000 BTU/hr @ 180°F (kw 14.35 @ 82.2°C) temp. rise
AIR FLOW	480 CFM (816 m3/h)
WEIGHT	28 lbs. (13 kg)
CURRENT DRAW	15.9 amps @ 13.6 VDC
UNITS	R-3500-1P (12 VDC)



NOTE: Gasket on front



R-3540 HEATERS

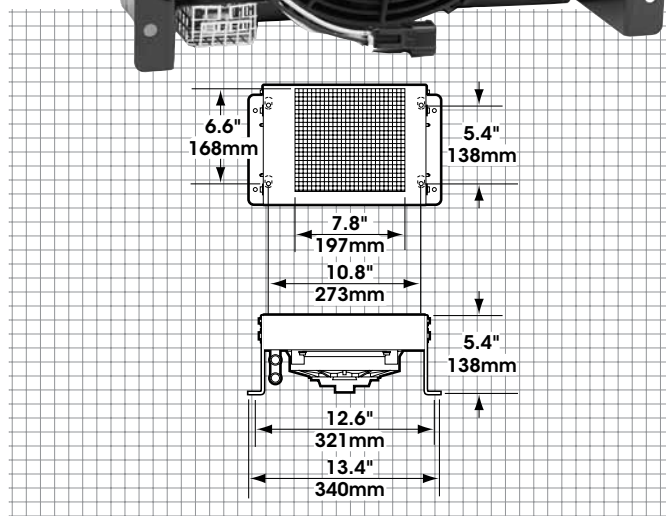
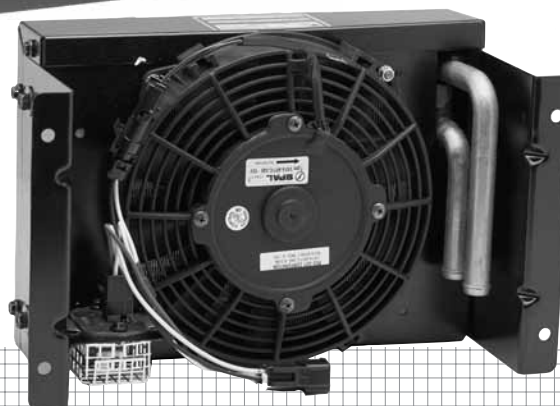
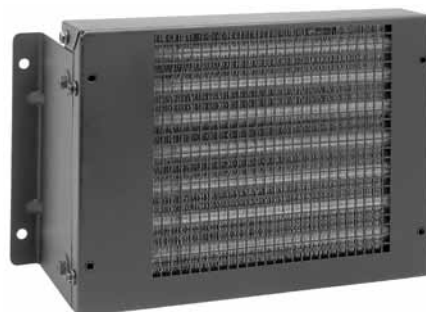
Auxiliary Heater

FIRE TRUCKS • BUSES • VANS

Designed to fit small areas, the R-3540 delivers a lot of BTU's for its size. Using a pancake fan design, this unit is quiet and moves close to 200 CFM of air. The R-3540 has versatile mounting (either flat or horizontal) and contains a resistor for variable speed control.

R-3540 SPECIFICATIONS

BTU'S	22,970 BTU's/hr @ 180°F (kw 6.73 @ 82.6°C) air temp. rise
AIR FLOW	194 CFM (330 m3/h)
WEIGHT	10 lbs. (4.5 kg)
CURRENT DRAW	4.8 amps @ 13.6 VDC
UNITS	R-3540-2P (12 VDC)



R-4013H

Heater/Defroster Unit

OFF ROAD
CONSTRUCTION
INDUSTRIAL



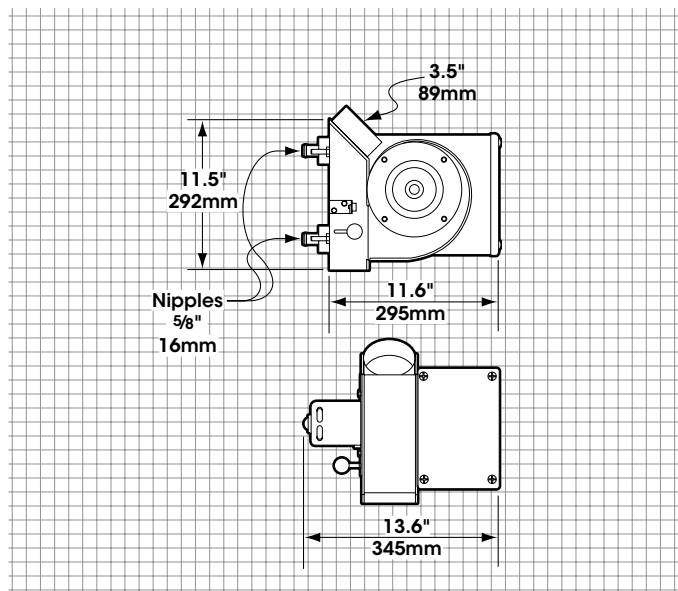
The R-4013 is a compact, versatile and high output heater/defroster. Like other Red Dot heaters, the tube and fin coil design allows mounting in any position. Along with a two speed motor, a diversion door can be manually or cable operated to control defrost and heat output. An optional adapter to the heat outlet turns the R-4013 into a dual defroster or multi compartment heater.

R-4013H SPECIFICATIONS	
BTU'S	Heating – 20,000 BTU/hr @ 100°F (5.7 kW @ 37.8°C) air temp. rise
AIR FLOW	185 CFM (314 m3/h)
WEIGHT	15.7 lbs. (7.1 kg)
CURRENT DRAW	11 amps @ 13.6 VDC, 5.5 amps @ 27.2 VDC
UNITS	R-4013HP (12 VDC) For 24 volt see R-6130 on the following page

OPTIONS:

Heater Hose
5/8" – 50'
78R0100

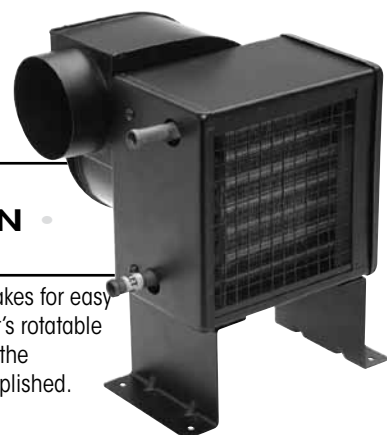
3 1/2" Defrost Adapter
72R3550



R-6130

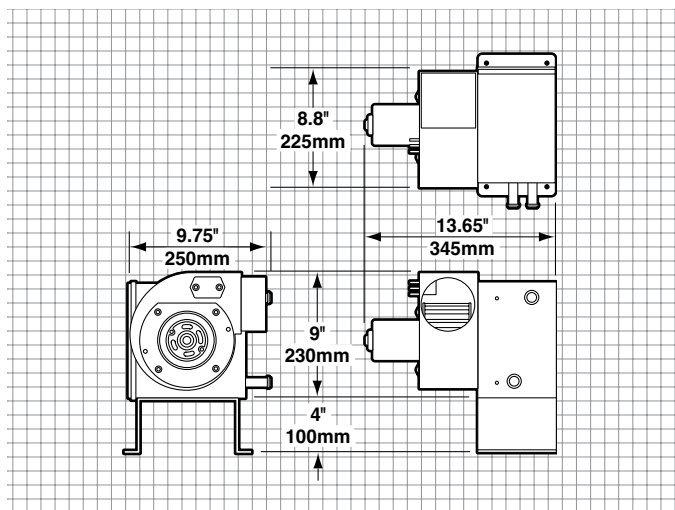
Box Heater

BUSES
CONSTRUCTION
OFF-ROAD



The R-6130's compact size makes for easy mounting in tight areas. With it's rotatable blower, ducting the heat up to the sleeper or cab is easily accomplished.

R-6130 SPECIFICATIONS	
BTU'S	Heating – 28,100 BTU's/hr @ 180°F (8.2 kW @ 37.8°C) air temp. rise
AIR FLOW	283 CFM (481 m3/h)
WEIGHT	12 lbs. (12.7kg)
MOTORS	Permanent magnet, three-speed
CURRENT DRAW	17 amps @ 13.6 VDC 8 amps @ 27.2 VDC
UNITS	R-6130-1P (12 VDC) R-6130-0P (24 VDC)



HEATER ONLY